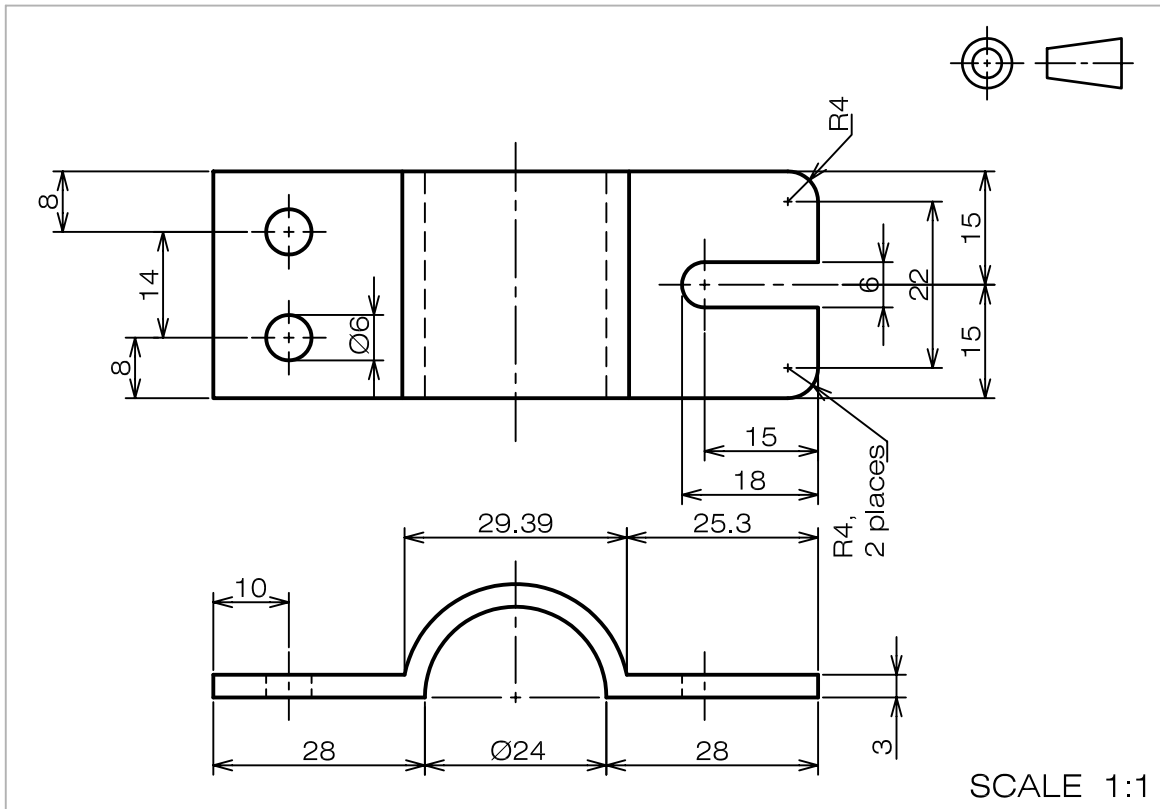
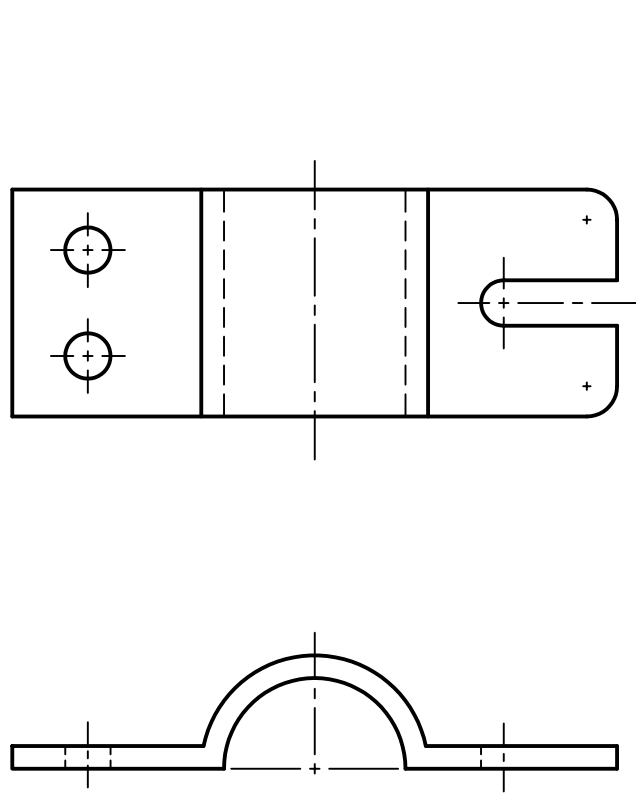


Correct the given poorly dimensioned drawing.



SCALE 1:1



SCALE 1:1